



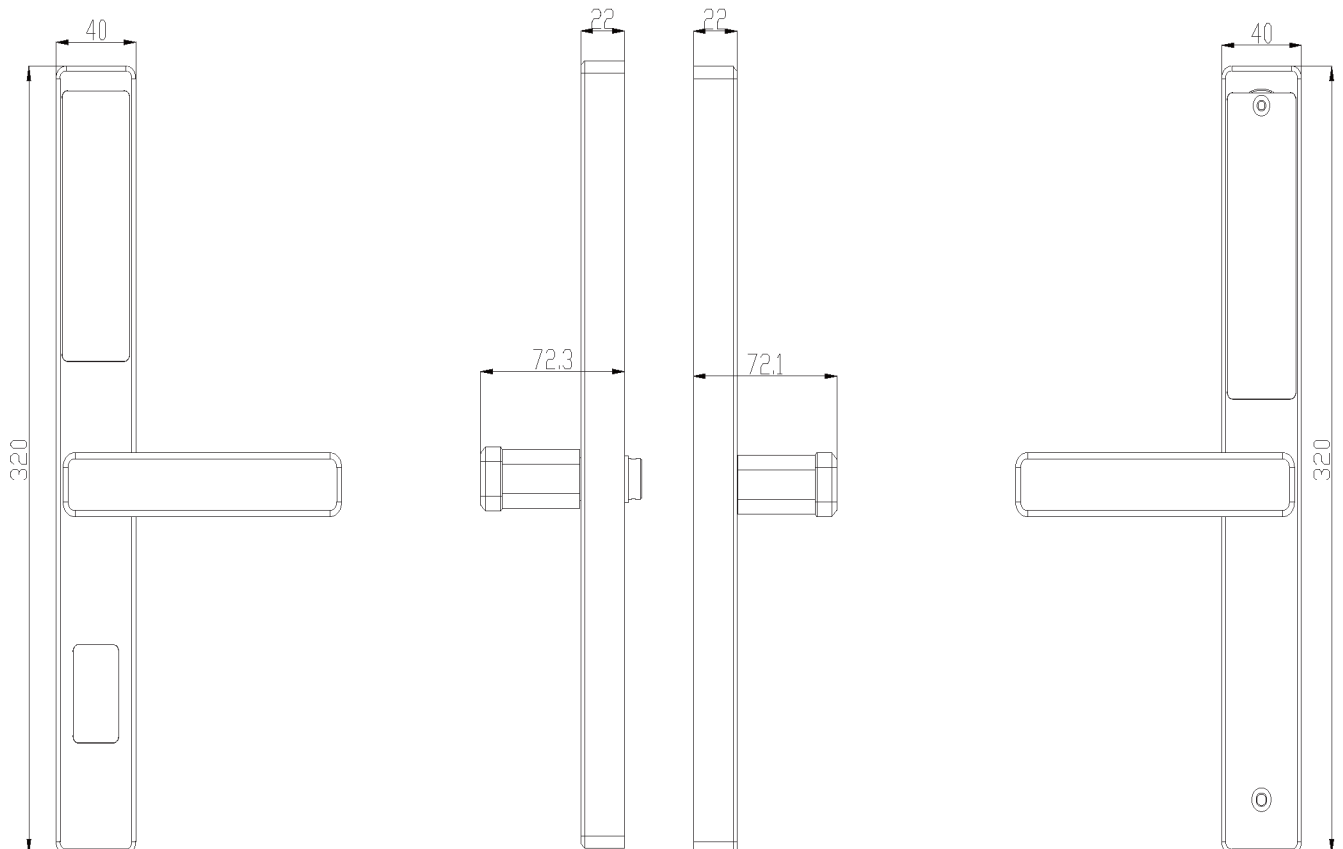
H06

CARD LOCK

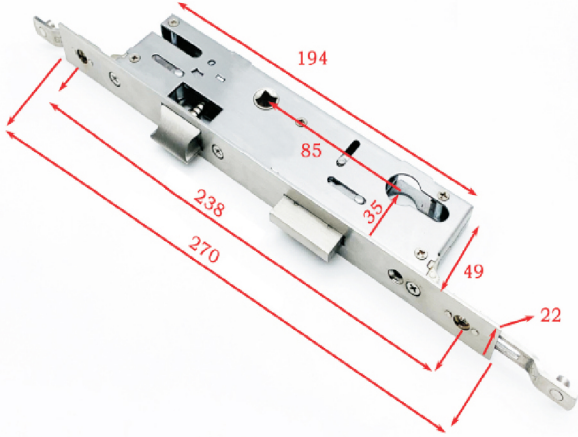


material	CNC aluminum alloy
panel thickness	25mm
open way	mf card+keys+app
emergency power charger	mini USB charger
battery:	4pcs 4AA batteries
apply to mortise	55*72/28*85/35*85/40*85mm
apply to door	aluminum door/ sliding door/wooden door

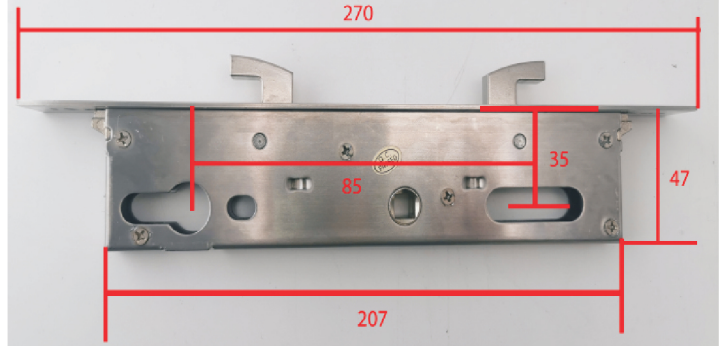
PANEL SIZE



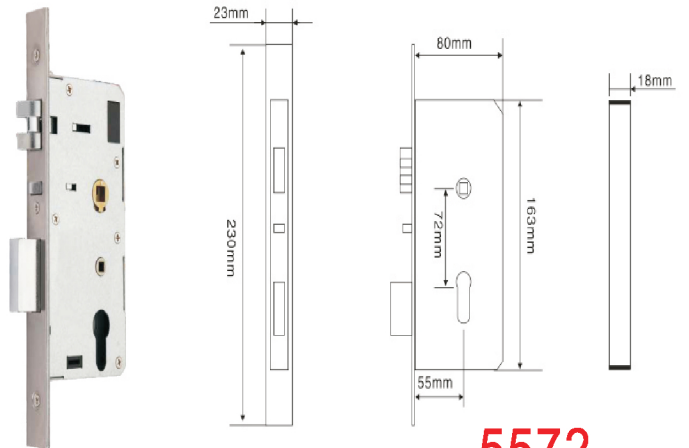
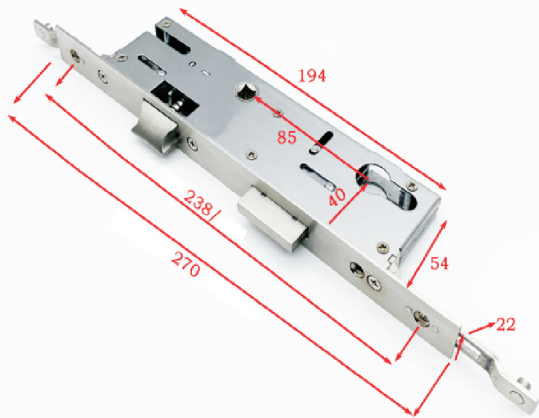
3585



3585 SLIDING MORTISE



4085



5572

system :



U S B C A D

Mifareoncard
T555CARD
ICARD



Handlse

Seudatabase
Readatabase



S C H A S D

Accesversion
SQversion



Encode

Issucard



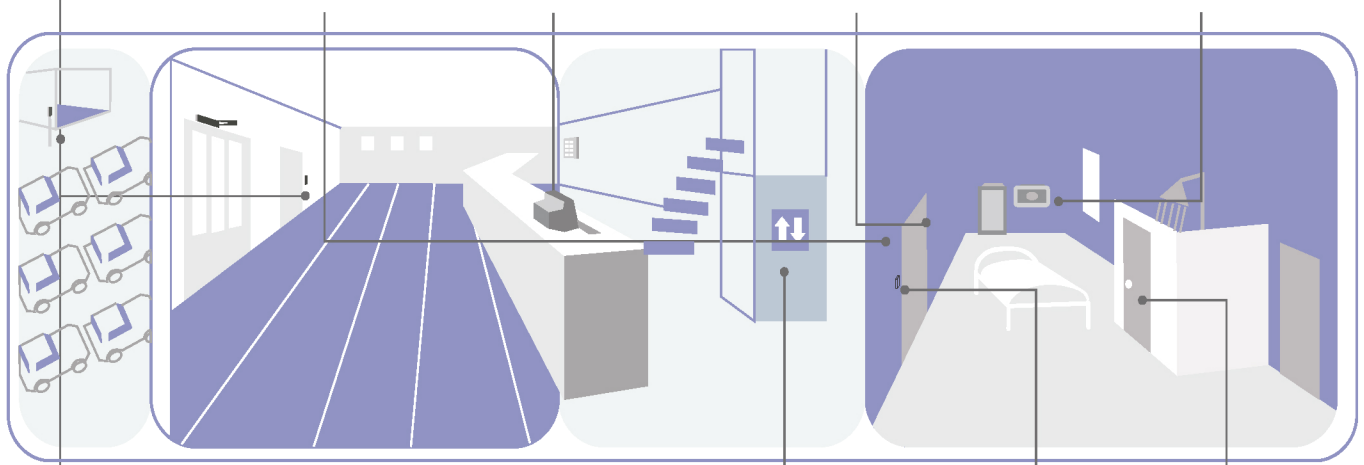
Packincontrol

Electroniroo numbeplate

Locsystessoftware

Door etainer

Safbox



Door access control



Elevator control



Energy Control Unit



Bathroom Lock

Basic Function of SMART LOCK System

Available Card :	ISO14443 (RFID) Type-A Mifare Standard (Classic) 4KB/1KB , Model :S50/S70
Standard Handles :	CNC ALUMINIUM ALLOY
Finishes :	oxidation
Power Supply :	4pcs AAAA battery
Audit trail lock events :	890 records (Can be downloaded by handset or Data card)
Mechanical key override	Backup on emergency
Software :	windows xp/w7/w8/w10
OS	32 bits/64 bits
Auto Backup Function :	Available
Language :	Multi-language is available :
Card Encoder :	USB communication
POS Interface :	Full function SDK DLL for integration with PMS